

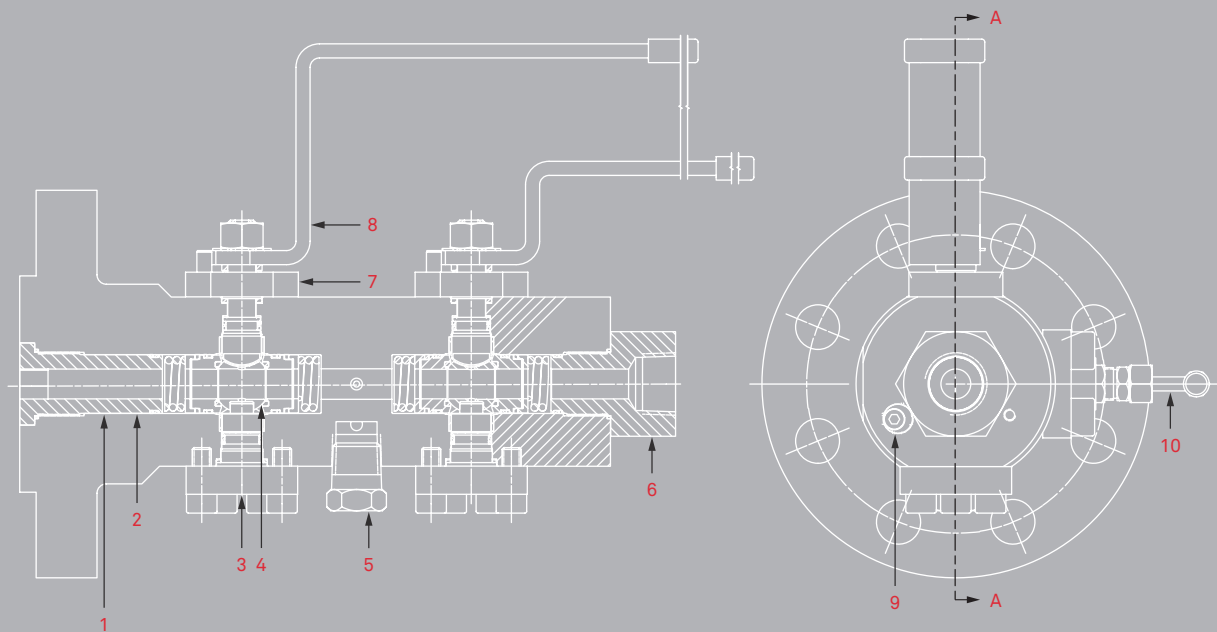
# OB Series Soft Seat Trunnion Flange x Screw

Technical Spec

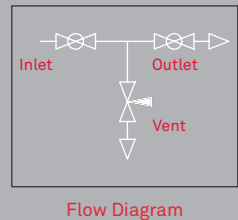
Double block and bleed trunnion mounted valve manifold utilising both soft seats and metal to metal seats, using the latest in piston seat design, with flange to body connection for superior, bubble tight sealing capabilities at both high pressures and temperatures.

The TMS-SVO type valve offers a Ball, Bolted Needle, Ball configurations. The trunnion seated ball valves offer longer lasting service in all conditions while the piston seat design offers superb sealing in lower pressure applications. This series offers working pressures of up to ASME B16.5 class 2500 with a maximum working temperature of up to 200°C.

Valve Construction



- 1 Screwed Body Insert
- 2 Valve Body
- 3 Trunnion Mount
- 4 Trunnion Soft Seat Ball Valve
- 5 Blank Plug
- 6 Screwed End Connector
- 7 Ball Valve Bonnet
- 8 Valve Handle
- 9 Locking Cam Device
- 10 Bolted Needle Valve



Options

Flange/Inlet †	Outlet †	Vented Port Thread †	Vent Port †	Needle Valve
Raised Face	NPT	NPT	Plugged	Standard Needle
Flat Face	BSPP	BSPP	Unplugged	Anti-Tamper Needle
Ring Type Joint	BSPT	BSPT	Safety Vent Plug	OS&Y Needle
				Lockable OS&Y Needle

† Other options can be supplied upon request.



**Temp. Range**  
-46°C > 200°C †



**Pressure Rating**  
ASME Class 150 - 2500



**Flange Sizes**  
ASME B16.5 1/2" - 2" †



**Compliance**  
NACE MR - 01 - 75



**Flow Direction**  
Bi-directional

† Actual maximum working temperature is dependent on valve service conditions; please contact for more information.

Design Features

- ½" – 14 NPT Outlet size – Standard
- ½" – 14 NPT Vent size – Standard
- Other Outlet/Vent sizes and thread types are available
- Sample Probes/Injection Quills can be fitted to flanged side
- Isolation ball valves and venting needle valve as standard
- Materials available include: ASTM A182 F316 Stainless Steel, ASTM A182 F51/55 Duplex & Super Duplex, and ASTM B564 UNS N06625 Inconel 625 amongst others.
- Various trim materials available
- Standard Designs are fire safe
- Lockable and anti-tamper devices available
- Screwed check valve option available
- Available in 13mm bore size

Pressure Testing

All our Valves are tested thoroughly. We offer a wide range of testing options due to our variety of in-house testing equipment. Standard Hydro-body, Hydro-seat and Gas seat testing is carried out to API 598 and API 6A, with permissible leakage to ISO 5208. However other standards can be adhered to should it be required, including but not limited to PR2, ISO 15848, MESC SPE 77/300 and MESC SPE 77/312. Please speak to our Sales team with regards to your testing requirements and we will be happy to advise.

**Non-Destructive Testing/Examination Options**

- DPI
- MPI
- Ultrasonic
- Hardness Testing
- Radiography