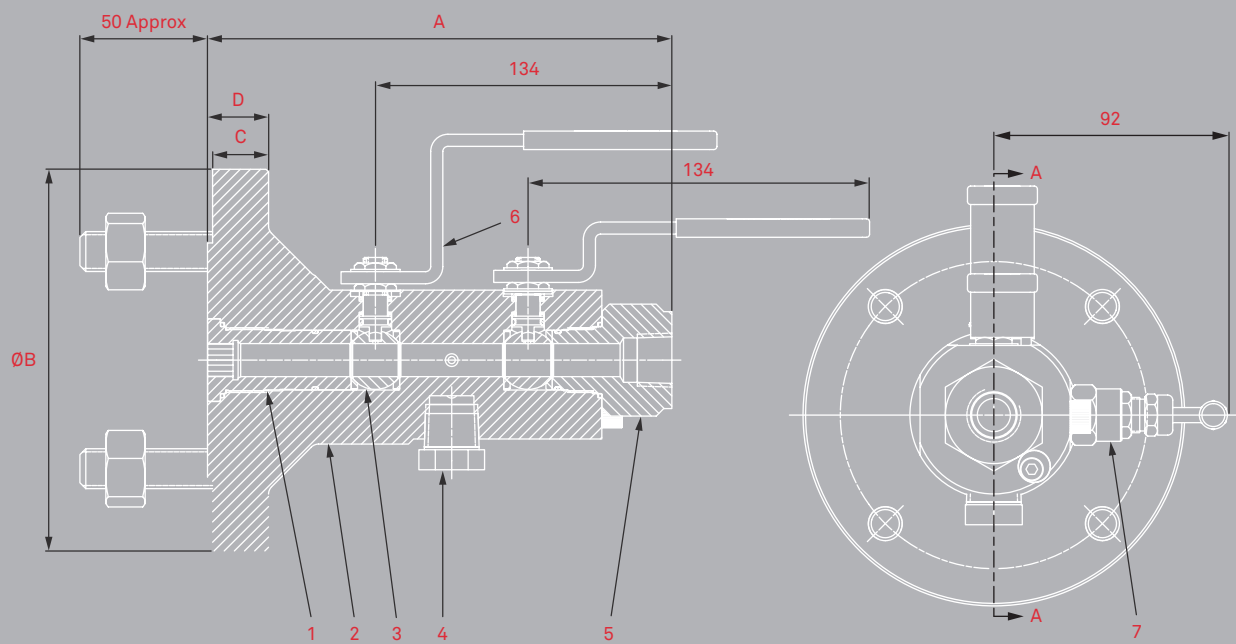


DE Series Flange x Screw 1 Piece

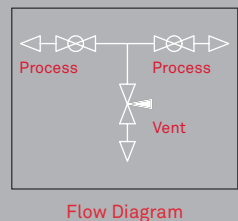
Technical Spec

Double/Single Block and Bleed Top Hat valve utilising soft seating and metal soft seated ball valves and a metal seated needle valve with bonnet to body connection for superior, bubble tight sealing capabilities at both extreme pressures and temperatures.

The SVE type valve offers a Ball, Needle, Ball or Ball, Needle configuration to suit all needs. The valve offers integral studding options for use in areas where a stud and nut are hard to fit. This series offers working pressures of up to ASME class 2500 with a maximum working temperature of 200°C.



- 1 Screwed Insert
- 2 Valve Body
- 3 Isolation Ball Valve
- 4 Blank Plug
- 5 Screwed End Connector
- 6 Valve Handle
- 7 Screwed Needle Valve



Valve Construction

Options

Flange/Inlet †	Outlet †	Vented Port Thread †	Vent Port †	Needle Valve
Raised Face	NPT	NPT	Plugged	Standard Needle
Flat Face	BSPP	BSPP	Unplugged	Anti-Tamper Needle
Ring Type Joint	BSPT	BSPT	Safety Vent Plug	

† Other options can be supplied upon request.



Temp. Range
-46°C > 200°C †



Pressure Rating
ASME Class 150 - 2500



Flange Sizes
ASME B16.5 1/2" - 2" †



Compliance
NACE MR - 01 - 75



Material Traceability
Major Components



Flow Direction
Uni-directional



Servicing Kits
Available

† Actual maximum working temperature is dependent on valve service conditions; please contact for more information.

- Two piece non-rotating hardened tip for first time seal and long service life
- OS&Y valves available alongside standard Needle valves to cater for all customer needs
- Pressure responsive multi-ring / piston packing for compression and pressure dynamic sealing
- Pressure rated up to ASME B16.5 Class 2500
- PEEK body bonnet seal for high pressure and high temperature
- Any combination of Vent/Outlet sizes and types available on request
- Separate shut off for vent to prevent unwanted loss of process medium

Design Features

All our Valves are tested thoroughly. We offer a wide range of testing options due to our variety of in-house testing equipment. Standard Hydro-body, Hydro-seat and Gas seat testing is carried out to API 598 and API 6A, with permissible leakage to ISO 5208. However other standards can be adhered to should it be required, including but not limited to PR2, ISO 15848, MESC SPE 77/300 and MESC SPE 77/312. Please speak to our Sales team with regards to your testing requirements and we will be happy to advise.

Non-Destructive Testing/Examination Options

- DPI
- MPI
- Ultrasonic
- Hardness Testing
- Radiography

Pressure Testing

For further information regarding this range, please see the DE Series Flange x Screw 1 Piece product data table at the back of this brochure.

Data Table

DE Series Flange x Screw Product Type

10MM DE RANGE ONE PIECE - RF/RTJ FLANGE X 1/2" NPT FEMALE

	Size	Rating	Valve Part No.	A (mm)	ØB (mm)	C (mm)	DRF(mm)	D RTJ (mm)	Nominal weight
Metric / mm	1/2"	150	DE4N#-4AR (4AJ)	188	90	10.1	12.1	N/A	3
	1/2"	300	DE4N#-4BR (4BJ)	188	95	13.2	15.2	19.6	3
	1/2"	600	DE4N#-4CR (4CJ)	188	95	14.8	21.8	21.2	3
	1/2"	900/1500	DE4N#-4ER (4EJ)	188	120	22.8	29.8	29.2	4
	1/2"	2500	DE4N#-4FR (4FJ)	198	135	30.7	37.7	37.1	5
	3/4"	150	DEN#-6AR (6AJ)	188	100	11.7	13.7	N/A	3
	3/4"	300	DEN#-6BR (6BJ)	188	115	14.8	16.8	21.2	4
	3/4"	600	DE4N#-6CR (6CJ)	188	115	16.4	23.4	22.8	4
	3/4"	900/1500	DE4N#-6ER (6EJ)	198	130	25.9	32.9	32.3	5
	3/4"	2500	DE4N#-6FR (6FJ)	198	140	32.3	39.3	38.7	6
	1"	150	DE4N#-8AR (8AJ)	188	110	13.2	15.2	19.6	4
	1"	300	DE4N#-8BR (8BJ)	188	125	16.4	18.4	22.8	4
	1"	600	DE4N#-8CR (8CJ)	188	125	18.0	25.0	24.4	4
	1"	900/1500	DE4N#-8ER (8EJ)	198	150	29.1	36.1	35.5	6
	1"	2500	DE4N#-8FR (8FJ)	198	160	35.5	42.5	41.9	6
	1 1/2"	150	DE4N#-12AR (12AJ)	188	125	16.4	18.4	22.8	5
	1 1/2"	300	DE4N#-12BR (12BJ)	188	155	19.6	21.6	26.0	6
	1 1/2"	600	DE4N#-12CR (12CJ)	198	155	22.8	29.8	29.2	6
	1 1/2"	900/1500	DE4N#-12ER (12EJ)	198	180	32.3	39.3	38.7	9
	1 1/2"	2500	DE4N#-12FR (12FJ)	213	205	45.0	52.0	52.9	13
2"	150	DE4N#-16AR (16AJ)	198	150	18.0	20.0	24.4	5	
2"	300	DE4N#-16BR (16BJ)	198	165	21.2	23.2	29.1	6	
2"	600	DE4N#-16CR (16CJ)	198	165	25.9	32.9	33.8	7	
2"	900/1500	DE4N#-16ER (16EJ)	213	215	38.6	45.6	46.5	13	
2"	2500	DE4N#-16FR (16FJ)	213	235	51.4	58.4	59.3	18	

DE Series Flange x Screw Product Type (cont'd)

13MM DE RANGE ONE PIECE - RF/RTJ FLANGE X 1/2" NPT FEMALE

	Size	Rating	Valve Part No.	A (mm)	ØB (mm)	C (mm)	DRF(mm)	D RTJ (mm)	Nominal weight
Metric / mm	1/2"	150	13DE4N#-4AR (4AJ)	183	90	10.1	12.1	N/A	4
	1/2"	300	13DE4N#-4BR (4BJ)	183	95	13.2	15.2	19.6	5
	1/2"	600	13DE4N#-4CR (4CJ)	183	95	14.8	21.8	21.2	5
	1/2"	900/1500	13DE4N#-4ER (4EJ)	203	120	22.8	29.8	29.2	6
	1/2"	2500	13DE4N#-4FR (4FJ)	203	135	30.7	37.7	37.1	7
	3/4"	150	13DE4N#-6AR (6AJ)	183	100	11.7	13.7	N/A	5
	3/4"	300	13DE4N#-6BR (6BJ)	183	115	14.8	16.8	21.2	5
	3/4"	600	13DE4N#-6CR (6CJ)	183	115	16.4	23.4	22.8	5
	3/4"	900/1500	13DE4N#-6ER (6EJ)	203	130	25.9	32.9	32.3	6
	3/4"	2500	13DE4N#-6FR (6FJ)	203	140	32.3	39.3	38.7	8
	1"	150	13DE4N#-8AR (8AJ)	183	110	13.2	15.2	19.6	5
	1"	300	13DE4N#-8BR (8BJ)	183	125	16.4	18.4	22.8	6
	1"	600	13DE4N#-8CR (8CJ)	183	125	18.0	25.0	24.4	6
	1"	900/1500	13DE4N#-8ER (8EJ)	203	150	29.1	36.1	35.5	8
	1"	2500	13DE4N#-8FR (8FJ)	203	160	35.5	42.5	41.9	9
	1 1/2"	150	13DE4N#-12AR (12AJ)	183	125	16.4	18.4	22.8	6
	1 1/2"	300	13DE4N#-12BR (12BJ)	183	155	19.6	21.6	26.0	7
	1 1/2"	600	13DE4N#-12CR (12CJ)	203	155	22.8	29.8	29.2	8
	1 1/2"	900/1500	13DE4N#-12ER (12EJ)	203	180	32.3	39.3	38.7	10
	1 1/2"	2500	13DE4N#-12FR (12FJ)	203	205	45.0	52.0	52.9	15
2"	150	13DE4N#-16AR (16AJ)	183	150	18.0	20.0	24.4	7	
2"	300	13DE4N#-16BR (16BJ)	183	165	21.2	23.2	29.1	7	
2"	600	13DE4N#-16CR (16CJ)	203	165	25.9	32.9	33.8	9	
2"	900/1500	13DE4N#-16ER (16EJ)	203	215	38.6	45.6	46.5	14	
2"	2500	13DE4N#-16FR (16FJ)	203	235	51.4	58.4	59.3	20	