

# 3VBD Series Needle Manifold

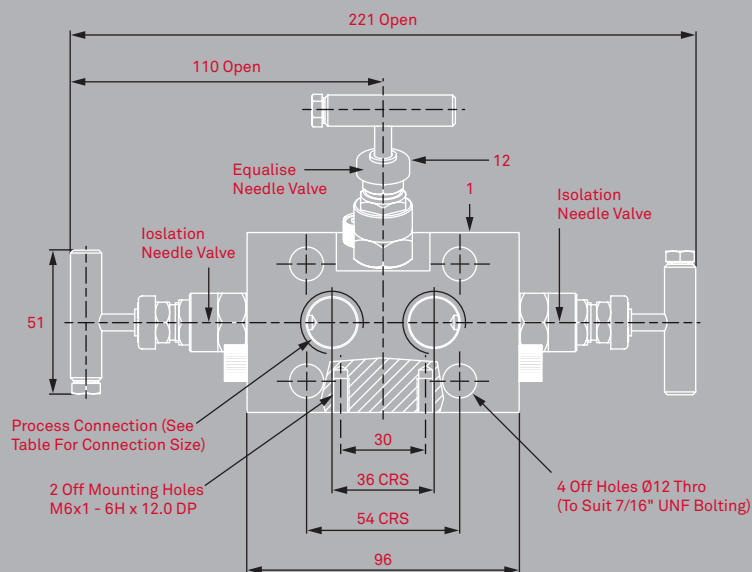
## Overview

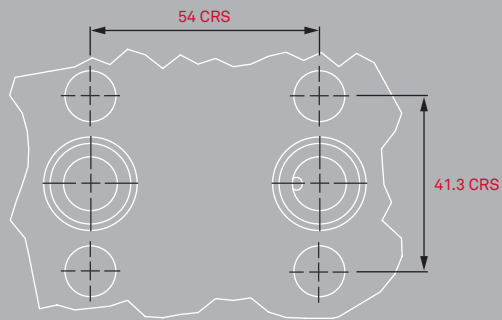
### Direct Mounted 3 Valve Needle Manifold 6,000 PSI

Direct mounted 3 valve manifold, instrument mount to pipe connection. Offering two isolation valves, and one equalising valve for differential pressure transmitter or static instrument applications. This slim, compact 3 valve manifold offers all the features of Alco's high integrity needle valve head design incorporated in one common instrument manifold block that mounts directly to an instrument.

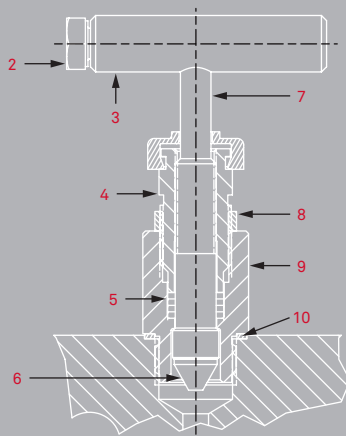
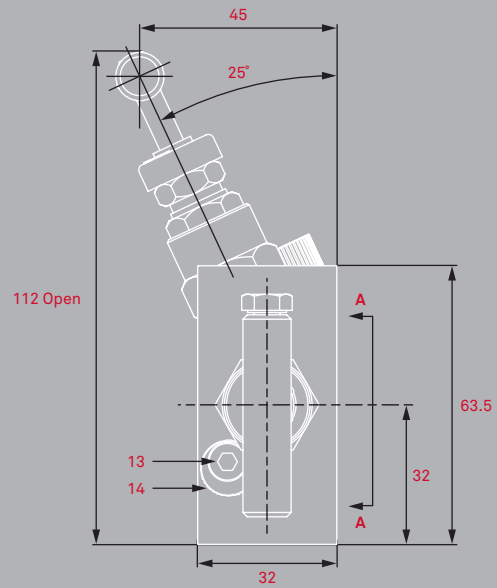
## Design Features

- Compact bodied instrument manifold block
- All valves have two piece non-rotating hardened (17-4PH) tips as standard for first time seal and long life service
- Bubble tight shut off
- Positive no slack stem action
- Supplied with bolt pack and PTFE seals as standard
- Metal to metal body bonnet seal for high pressure and high temperature use
- Full material traceability
- Temperature range -40°C to 230°C
- Available in 316/316L
- 54mm (2 1/8") instrument centres
- Repair/service kit available to extend field life further
- Base mounting holes to allow fixing to enclosure or mounting boss
- Materials of construction supplied to meet the requirements of NACE MR 0175



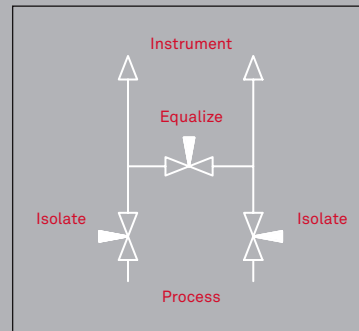


Direct Mount Instrument Connection Detail A-A



Needle Valve Details

Flow Diagram



Components Key

Item No.	Description	Material	Quantity
1	VALVE BODY	A479 UNS S31600	1
2	HANDLE BOLT	A4 ST/ST	3
3	"T" HANDLE	UNS S31600	3
4	GLAND ADJUSTER	UNS S31600	3
5	PACKING	RTFE	12
6	VALVE TIP	A564 UNS S17400	3
7	NEEDLE STEM	A479 UNS S31600	3
8	GLAND LOCKNUT	UNS S31600	3
9	BONNET HOUSING	A479 UNS S31600	3
10	BONNET SEAL	UNS S31600	3
11	ISOLATE DUST CAP	PVC	2
12	EQUALISE DUST CAP	PVC	1
13	CAM SCREW	A4 ST/ST	3
14	LOCKING CAM	UNS S31600	3

Dimensions shown are in metric mm

Part no.	Connection size	Bore	CV	Weight
3VBD4NS-TM	1/2" NPT	4	0.6	1.6KG