

U2VR Series Needle Manifold

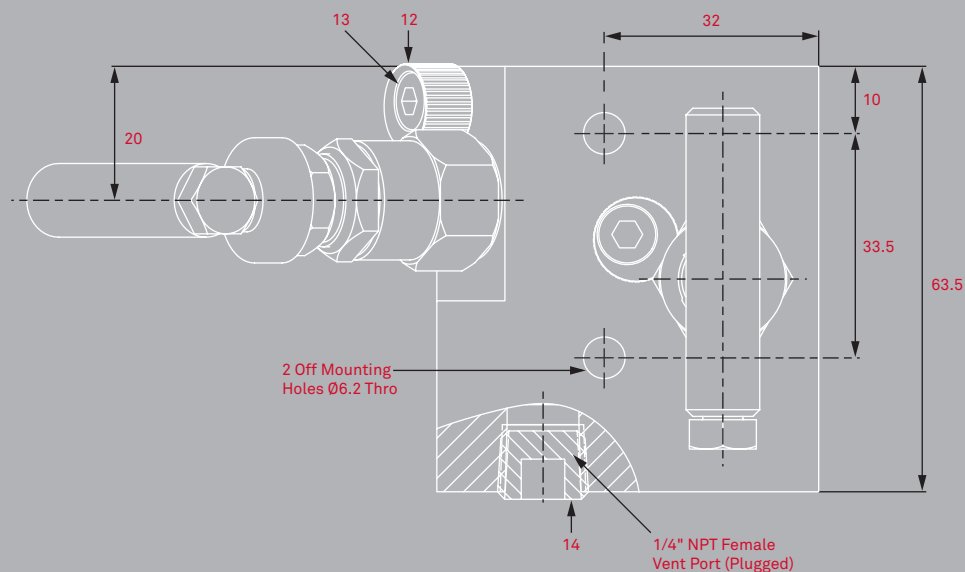
Overview

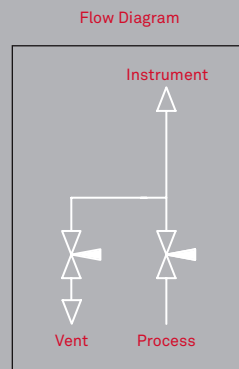
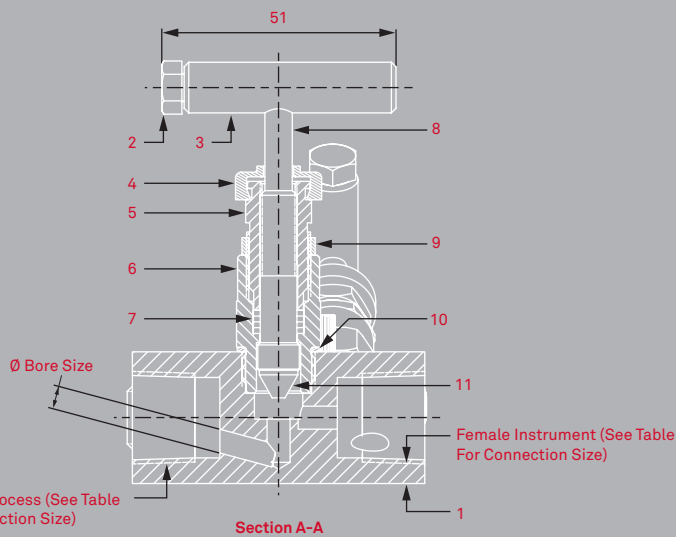
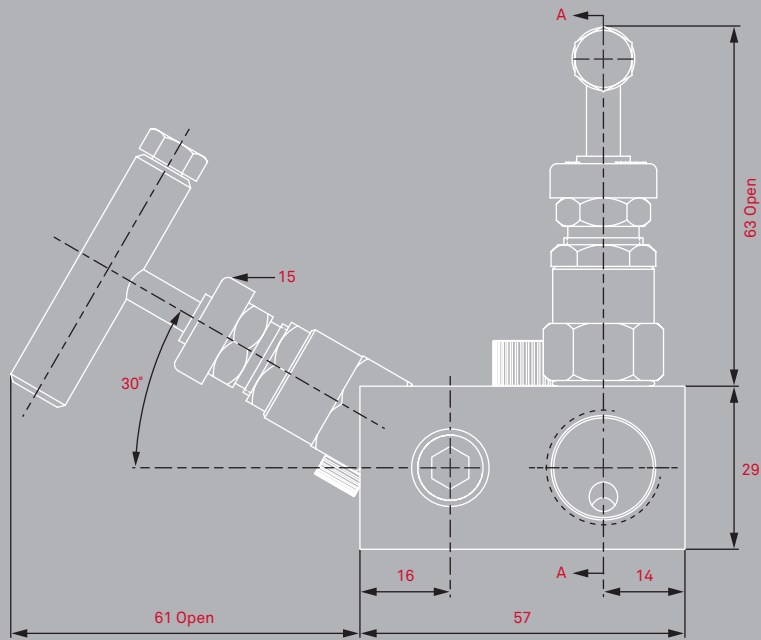
2 Valve Needle Manifold 10,000 PSI

The two-valve isolating and venting manifold used mainly in gauge and static instrument applications such as pressure switches, pressure transmitters and manometers. The manifold will isolate instrumentation from the process and allow venting of the instrument for calibration / removal from the circuit with affecting the process / application and recovery of a sample, etc. Incorporated are all the standard long service life features of the standard 'UN' series needle valve, multi-ring piston style packing, back sealing facility. Mounting holes supplied as standard for pipe or wall mounting to suit quick installation.

Design Features

- Offset vent valve for ease of operation
- Valve flow can be reversed so calibration can be conducted in situ
- All valves have 2-piece non-rotating hardened (17-4PH) tips as standard, for bubble tight shut off and long service life
- Metal to metal body bonnet seal for high pressure and high temperature sealing
- Unique bonnet anti-rotational cam device
- Positive no slack stem action
- Mounting holes as standard to allow for fixing to pipe stands or enclosures
- Blanking plugs supplied as standard
- Temperature range -40°C to 230°C
- Fine control of venting
- Available in 316/316L
- Repair/service kits available to extend service life further
- Ingress seals fitted as standard
- Full material traceability
- Materials of construction supplied to meet the requirements of NACE MR 0175





Item No.	Description	Material	Quantity
1	MANIFOLD BODY	A479 UNS S31600	1
2	HANDLE BOLT	A4 ST/ST	2
3	"T" HANDLE	UNS S31600	2
4	ISOLATE DUST CAP	PVC	1
5	GLAND ADJUSTER	UNS S31600	2
6	BONNET HOUSING	A479 UNS S31600	2
7	PACKING	RTFE	8
8	NEEDLE STEM	A479 UNS S31600	2
9	GLAND LOCKNUT	UNS S31600	2
10	INGRESS SEAL	VITON	2
11	VALVE TIP	A564 UNS S17400	2
12	CAM SCREW	A4 ST/ST	2
13	LOCKING CAM	UNS S31600	2
14	BLANK PLUG	A479 UNS S31600	1
15	VENT DUST CAP	PVC	1

Components Key

Dimensions shown are in metric mm

Part no.	Connection size	Bore	CV	Weight
U2VR2NS	1/4" NPT	5	0.7	0.96 Kg
U2VR4NS	1/2" NPT	5	0.7	0.92 Kg